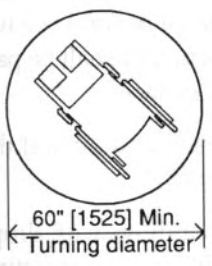
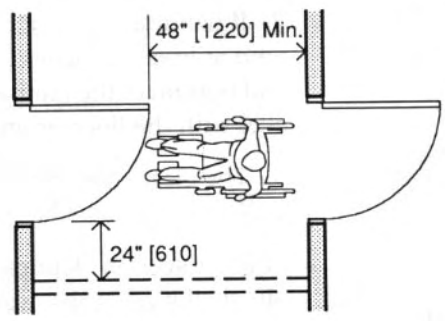


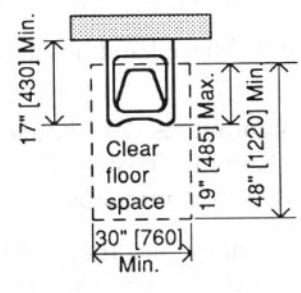
(a) Maneuvering clearances at doors



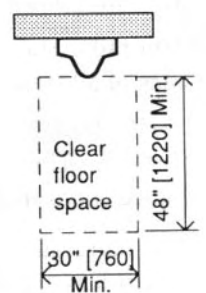
(b) Turning diameter



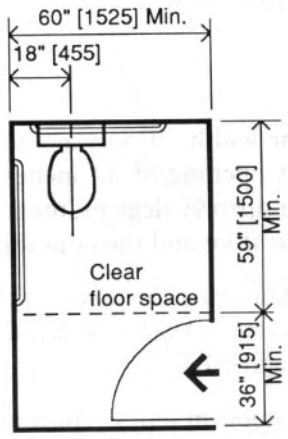
(c) Clearance for doors in series



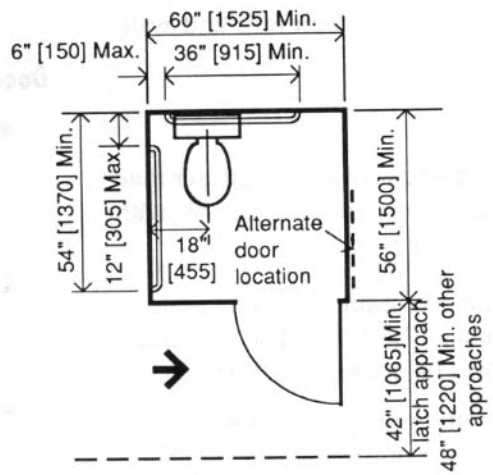
(d) Lavatory clearances



(e) Urinal clearances



(f) End of row toilet stall



(g) Toilet stall

Figure 5.3 Accessibility Information

Note: Numbers in brackets are in millimeters.